

LPW series

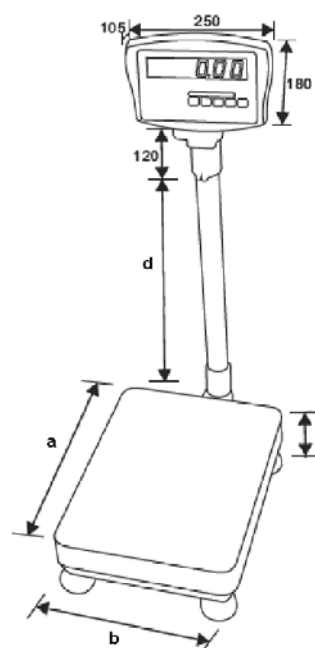


- **Capacity from 30 kg to 600 kg.**
- **Easy operation and solid construction.**
- **30 mm large red LED display.**
- **100% Tare range.**
- **Up to 80 hours continues operation time.**
- **Selectable Auto off function to save battery.**
- **Zero- and Tare- function.**
- **kg – lb conversion**
- **Weight accumulation.**

***“INNOVATIVE APPLICATIONS
LATEST TECHNOLOGY
LONG EXPERIENCE”***

Specifications are subject to change without notice.

LPW specifications:



Dimensions and Capacity (All measurements are in mm):

Model:	Capacity:	Division:	Platform;	A	B	C	D	Net weight:
LPW-1	30 kg	5 g	300 x 400 mm	400	300	120	580	10 kg
LPW-2	60 kg	10 g	300 x 400 mm	400	300	120	580	10 kg
LPW-3	60 kg	10 g	400 x 500 mm	500	400	120	650	13 kg
LPW-4	150 kg	20 g	400 x 500 mm	500	400	120	650	13 kg
LPW-5	150 kg	20 g	500 x 600 mm	600	500	165	650	24 kg
LPW-6	300 kg	50 g	500 x 600 mm	600	500	165	650	24 kg
LPW-8	600 kg	100 g	600 x 800 mm	800	600	165	650	38 kg

Power requirement:

Adapter specification:	Input: 100/240V AC 50 ~ 60Hz, 0,32A Max. Output: 12V / 500mA
Built in battery:	6V / 4Ah, rechargeable
Continues operation time:	80 hours continues use
Auto off function:	Yes

General:

Operating temperature	0°C to 40°C
Operating humidity	< 85%RH Max. (Non-condensing)

Authorized dealer:

Specifications are subject to change without notice.